

(19) World Intellectual Property Organization
International Bureau



(43) International Publication Date
5 July 2007 (05.07.2007)

PCT

(10) International Publication Number
WO 2007/075903 A3

(51) International Patent Classification:
A61F 2/06 (2006.01)

(74) Agent: MYERS BIGEL SIBLEY & SAJOVEC, P.A.;
Po. Box 37428, Raleigh, North Carolina 27627 (US).

(21) International Application Number:
PCT/US2006/048815

(81) Designated States (unless otherwise indicated, for every kind of national protection available): AE, AG, AL, AM, AT, AU, AZ, BA, BB, BG, BR, BW, BY, BZ, CA, CH, CN, CO, CR, CU, CZ, DE, DK, DM, DZ, EC, EE, EG, ES, FI, GB, GD, GE, GH, GM, GT, HN, HR, HU, ID, IL, IN, IS, JP, KE, KG, KM, KN, KP, KR, KZ, LA, LC, LK, LR, LS, LT, LU, LV, LY, MA, MD, MG, MK, MN, MW, MX, MY, MZ, NA, NG, NI, NO, NZ, OM, PG, PH, PL, PT, RO, RS, RU, SC, SD, SE, SG, SK, SL, SM, SV, SY, TJ, TM, TN, TR, TT, TZ, UA, UG, US, UZ, VC, VN, ZA, ZM, ZW

(22) International Filing Date:
21 December 2006 (21.12.2006)

(25) Filing Language: English

(26) Publication Language: English

(30) Priority Data:
60/754,107 27 December 2005 (27.12.2005) US

(84) Designated States (unless otherwise indicated, for every kind of regional protection available): ARIPO (BW, GH, GM, KE, LS, MW, MZ, NA, SD, SL, SZ, TZ, UG, ZM, ZW), Eurasian (AM, AZ, BY, KG, KZ, MD, RU, TJ, TM), European (AT, BE, BG, CH, CY, CZ, DE, DK, EE, ES, FI, FR, GB, GR, HU, IE, IS, IT, LT, LU, LV, MC, NL, PL, PT, RO, SE, SI, SK, TR), OAPI (BF, BJ, CF, CG, CI, CM, GA, GN, GQ, GW, ML, MR, NE, SN, TD, TG).

(71) Applicant (for all designated States except US): EAST CAROLINA UNIVERSITY [US/US]; 2200 Charles Boulevard, Greenville Centre, Room 2400, Greenville, North Carolina 27858 (US).

(72) Inventors; and

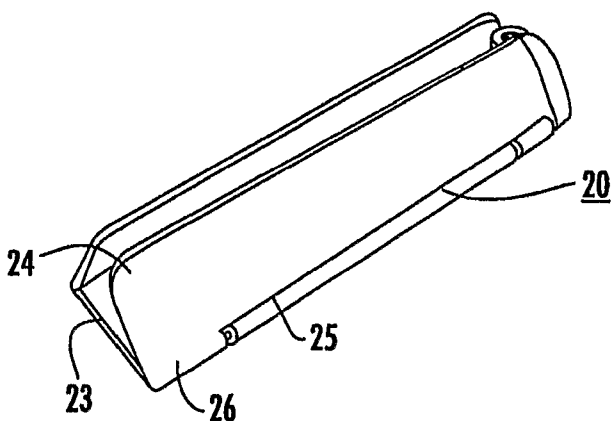
Published:

(75) Inventors/Applicants (for US only): ISHIKAWA, Norihiko [JP/JP]; 1-159 Matsumura, Kanazawa, Ishikawa 920-0348 (JP). NIFONG, L. Wiley [US/US]; 300 Queen Anne Road, Greenville, North Carolina 27858 (US). SUN, You Su [US/US]; 109 Knight Drive, Winterville, North Carolina 28590 (US).

— with international search report
— before the expiration of the time limit for amending the claims and to be republished in the event of receipt of amendments

(88) Date of publication of the international search report:
7 August 2008

(54) Title: ENDOSCOPIC CARDIAC RETRACTORS WITH FOLDING COMPONENTS CONFIGURED FOR INSERTION USING MINIMALLY INVASIVE ACCESS PORTS AND RELATED METHODS



(57) Abstract: Cardiac retractors include a rod and a foldable blade that can be introduced using minimally invasive access ports such that provided by an intra-thoracic cavity cannula. The rod can be integral to the blade or may be releasably attached *in situ*. The devices may be sized and configured to reside *in situ* proximate the mitral valve site at a left atria to splint open (lift a roof of) the mitral valve in response to robotic controlled direction of a surgeon for a mitral valve repair during a closed chest minimally invasive cardiac surgery.

WO 2007/075903 A3

INTERNATIONAL SEARCH REPORT

International application No.
PC17US06/48815

A. CLASSIFICATION OF SUBJECT MATTER
 IPC: A6JF 2/06(2006.01)

 USPC: 606/201
 According to International Patent Classification (IPC) or to both national classification and IPC

B. FIELDS SEARCHED
 Minimum documentation searched (classification system followed by classification symbols)
 ■U.S. : 606/201

 Documentation searched other than minimum documentation to the extent that such documents are included in the fields searched

 Electronic data base consulted during the international search (name of data base and, where practicable, search terms used)

C. DOCUMENTS CONSIDERED TO BE RELEVANT

Category *	Citation of document, with indication, where appropriate, of the relevant passages	Relevant to claim No.
X	US 2004/0138527 A1 (BONNER et al) 15 July. 2004 (15.07.2004), whole document.	1, 17-18, 20-21, 31, 33, 34

D Further documents are listed in the continuation of Box C. See patent family ann.ex.

Special categories of cited documents:

"A" document defining the general state of the art which is not considered to be of particular relevance	"T" later document published after the international filing date or priority date and not in conflict with the application but cited to understand the principle or theory underlying the invention
"E" earlier application or patent published on or after the international filing date	"X" document of particular relevance, the claimed invention cannot be considered novel or cannot be considered to involve an inventive step when the document is taken alone
"L" document which may throw doubts on priority claim(s) or which is cited to establish the publication date of another citation or other special reason (as specified)	"Y" document of particular relevance; the claimed invention cannot be considered to involve an inventive step when the document is combined with one or more other such documents, such combination being obvious to a person skilled in the art
"O" document referring to an oral disclosure, use, exhibition or other means	"Sc" document member of the same patent family
"P" document published prior to the international filing date but later than the priority date claimed	

Date of the actual completion of the international search 14 April 2003 (14.04.2008)	Date of mailing of this report 14 April 2003 (14.04.2008)
Name and mailing address of the ISA/US Ma-1Stop PCT, Attn: ISA/US Commissioner for Patents P.O. Box 1450 Alexandria, Virginia 22313-1450 Facsimile No. (571) 273-3201	Authorized officer Eduardo C. Robert <i>Eduardo C. Robert</i> Telephone No. (571) 272-4719 <i>July</i>