

(19) World Intellectual Property Organization  
International Bureau



(43) International Publication Date  
5 July 2007 (05.07.2007)

PCT

(10) International Publication Number  
**WO 2007/075310 A3**

(51) International Patent Classification:  
A61B 17/00 (2006 01)

(74) Agent: MYERS BIGEL SIBLEY & SAJOVEC, P.A.,  
P O Box 37428, Raleigh, North Carolina 27627 (US)

(21) International Application Number:  
PCT/US2006/047105

(81) Designated States (unless otherwise indicated, for every kind of national protection available): AE, AG, AL, AM, AT, AU, AZ, BA, **BB**, BG, **BR**, BW, BY, BZ, CA, CH, CN, CO, CR, CU, CZ, DE, **DK**, DM, DZ, EC, EE, EG, ES, FI, GB, GD, GE, GH, GM, GT, HN, **HR**, HU, **ID**, **IL**, IN, **IS**, JP, KE, KG, KM, KN, **KP**, **KR**, KZ, LA, LC, LK, LR, LS, LT, LU, LV, LY, MA, MD, MG, MK, MN, MW, MX, MY, MZ, NA, NG, NI, NO, NZ, OM, PG, **PH**, PL, PT, **RO**, RS, RU, SC, SD, SE, SG, SK, SL, SM, SV, SY, **TJ**, TM, TN, TR, TT, TZ, UA, UG, US, UZ, VC, VN, ZA, ZM, ZW

(22) International Filing Date:  
8 December 2006 (08 12 2006)

(25) Filing Language: English

(26) Publication Language: English

(30) Priority Data:  
60/754,172 27 December 2005 (27 12 2005) US

(84) Designated States (unless otherwise indicated, for every kind of regional protection available): **ARIPO** (BW, GH, GM, KE, LS, MW, MZ, NA, SD, SL, SZ, TZ, UG, ZM, ZW), Eurasian (AM, AZ, BY, KG, KZ, MD, RU, TJ, TM), European (AT, BE, BG, CH, CY, CZ, DE, DK, EE, ES, FI, FR, GB, GR, HU, IE, IS, IT, LT, LU, LV, MC, NL, PL, PT, RO, SE, SI, SK, TR), OAPI (BF, **BJ**, CF, CG, CI, CM, GA, GN, GQ, GW, ML, MR, NE, SN, TD, TG)

(71) Applicant (for all designated States except US): **EAST CAROLINA UNIVERSITY** [US/US], 2200 Charles Boulevard, Greenville Centre, Room 2400, Greenville, North Carolina 27858 (US)

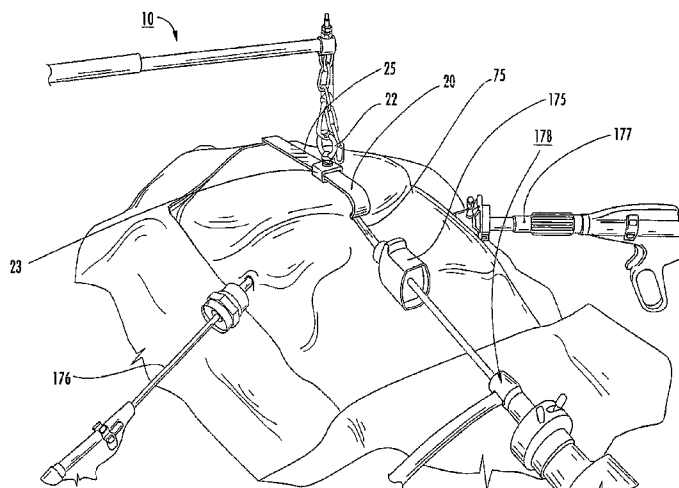
(72) Inventors; and

(75) Inventors/Applicants (for US only): **ISHIKAWA, Norihika** [JP/JP], 1-159 Matsumura, Kanazawa, Ishikawa 920-0348 (JP) **NIFONG, L. Wiley** [US/US], 300 Queen Anne Road, Greenville, North Carolina 27858 (US) **SUN, You Su** [US/US], 109 Knight Drive, Winterville, North Carolina 28590 (US)

Published:  
— with international search report

(88) Date of publication of the international search report:  
24 December 2008

(54) Title: ENDOSCOPIC FORCEPS WITH PRONGS AND RELATED METHODS



(57) Abstract: Methods and surgical devices are described that can endoscopically manipulate a length of a suture. A forceps instrument is endoscopically introduced into the body. The forceps instrument includes opposing grasping members having respective pairs of spaced-apart prongs that extend away from the respective grasping members. Each pair of prongs defines an opening therebetween. A length of suture is grasped using the forceps instrument such that the suture is captured by the pairs of prongs and a portion of the suture extends across the openings defined by the pairs of prongs. The portion of the suture that extends across the openings is grasped with another surgical instrument.

WO 2007/075310 A3

## INTERNATIONAL SEARCH REPORT

International application No

PCT/US2006/047105

<b>A CLASSIFICATION OF SUBJECT MATTER</b> IPC(8) - A61 B 17/00 (2008.04) USPC - 606/205 According to International Patent Classification (IPC) or to both national classification and IPC		
<b>B FIELDS SEARCHED</b> Minimum documentation searched (classification system followed by classification symbols) IPC(8) - A61B 17/00 (2008 04) USPC - 606/138, 139, 144, 148, 153, 157, 205, 206, 207 Documentation searched other than minimum documentation to the extent that such documents are included in the fields searched Electronic data base consulted during the international search (name of data base and, where practicable, search terms used) Patbase, Google Scholar		
<b>C DOCUMENTS CONSIDERED TO BE RELEVANT</b>		
Category*	Citation of document, with indication, where appropriate, of the relevant passages	Relevant to claim No
X	US 5,730,747 A (EK et al) 24 March 1998 (24 03 1998) entire document	1, 10, 15
---		-----
Y		2-9, 11-14, 16-21
Y	US 6,099,538 A (MOSES et al) 08 August 2000 (08 08 2000) entire document	2-5, 7-9, 16-18
Y	US 5,662,704 A (GROSS) 02 September 1997 (02 09 1997) entire document	4, 7-9, 12-14, 18
Y	US 2005/0143763 A1 (ORTIZ et al) 30 June 2005 (30 06 2005) entire document	6, 8, 9, 11, 13, 14, 19-21
A	US 6,152,923 A (RYAN) 28 November 2000 (28 11 2000) entire document	1-21
A	US 5,997,567 A (CANGELOSI) 07 December 1999 (07 12 1999) entire document	1-21
<input checked="" type="checkbox"/> Further documents are listed in the continuation of Box C <input type="checkbox"/>		
♦	Special categories of cited documents	"T" later document published after the international filing date or priority date and not in conflict with the application but cited to understand the principle or theory underlying the invention
"A"	document defining the general state of the art which is not considered to be of particular relevance	"X" document of particular relevance, the claimed invention cannot be considered novel or cannot be considered to involve an inventive step when the document is taken alone
"E"	earlier application or patent but published on or after the international filing date	"Y" document of particular relevance, the claimed invention cannot be considered to involve an inventive step when the document is combined with one or more other such documents, such combination being obvious to a person skilled in the art
"L"	document which may throw doubts on priority claim(s) or which is cited to establish the publication date of another citation or other special reason (as specified)	"&" document member of the same patent family
"O"	document referring to an oral disclosure, use, exhibition or other means	
"P"	document published prior to the international filing date but later than the priority date claimed	
Date of the actual completion of the international search		Date of mailing of the international search report
03 October 2008		<b>OJ) OCT 2008</b>
Name and mailing address of the ISA/US Mail Stop PCT, Attn ISA/US, Commissioner for Patents P O Box 1450, Alexandria, Virginia 22313-1450 Facsimile No 571-273-3201		Authorized officer Blame R Copenheaver PCT Helpdesk 571-272-4300 PCTOSP 571-272-7774